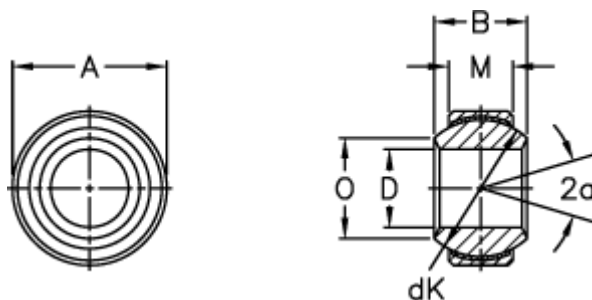


Article number: 03508280

Description: Fluro Rod end GE 280FW-2RS

Measures



A = 430 0 -0,045

B = 210

D = 280 0 -0,035

dK = 375

Dynamic load C (kN) = 7200

M = 120

O = 310.6

Static load C0 (kN) = 14400

Tilt angle = 15

Weight = 96500